

PolaNt

PolaNt is a lightweight high precision geodetic dual-frequency antenna for use with the PolaRx2 family of high performance dual-frequency GNSS receivers. This high-gain antenna incorporates low-noise amplifiers, and is built into a rugged and environmentally sealed housing.



PERFORMANCE

Frequency	1227 ± 10 MHz
	1575 ± 10 MHz
Polarization	RHCP
Axial Ratio	3dB max
Radiation Coverage	
4.0 dBic	θ = 0°
-1.0 dBic	0° < θ < 75°
-2.5 dBic	75° ≤ θ < 80°
-4.5 dBic	80° ≤ θ < 85°
-7.5 dBic	θ = 90°
Amplifier	
Gain	38 ± 2 dB
Noise Figure	2.5 dB max
Input Voltage	+ 5 to +18 VDC
Current	50 mA (typ)
Impedance	50 Ω
VSWR	≤ 2.0:1
Band Rejection	35 dB @ 1675 MHz

PHYSICAL AND ENVIRONMENTAL

Finish	Weatherable polymer
Weight	≈ 425 gr
Diameter	178 mm
Connector	TNCF
Altitude	≤ 6 000 m (20 000 ft)
Temperature	-40° C to +70° C

POLARX2 FAMILY : OTHER PRODUCTS

PolaRx2 and PolaRx2OEM - PolaRx2 is a versatile dual frequency GNSS receiver platform for high-end applications. Based on code and carrier tracking of the L1 and L2 signals, it provides the user with satellite range measurements and position, velocity and time.

PolaRx2 SBAS - PolaRx2 SBAS can track up to 6 SBAS augmentation satellites (such as EGNOS and WAAS) in addition to GPS satellites, increasing the accuracy of the position and offering your application vital integrity information increasing the confidence in the position solution for application in safety-critical environments.

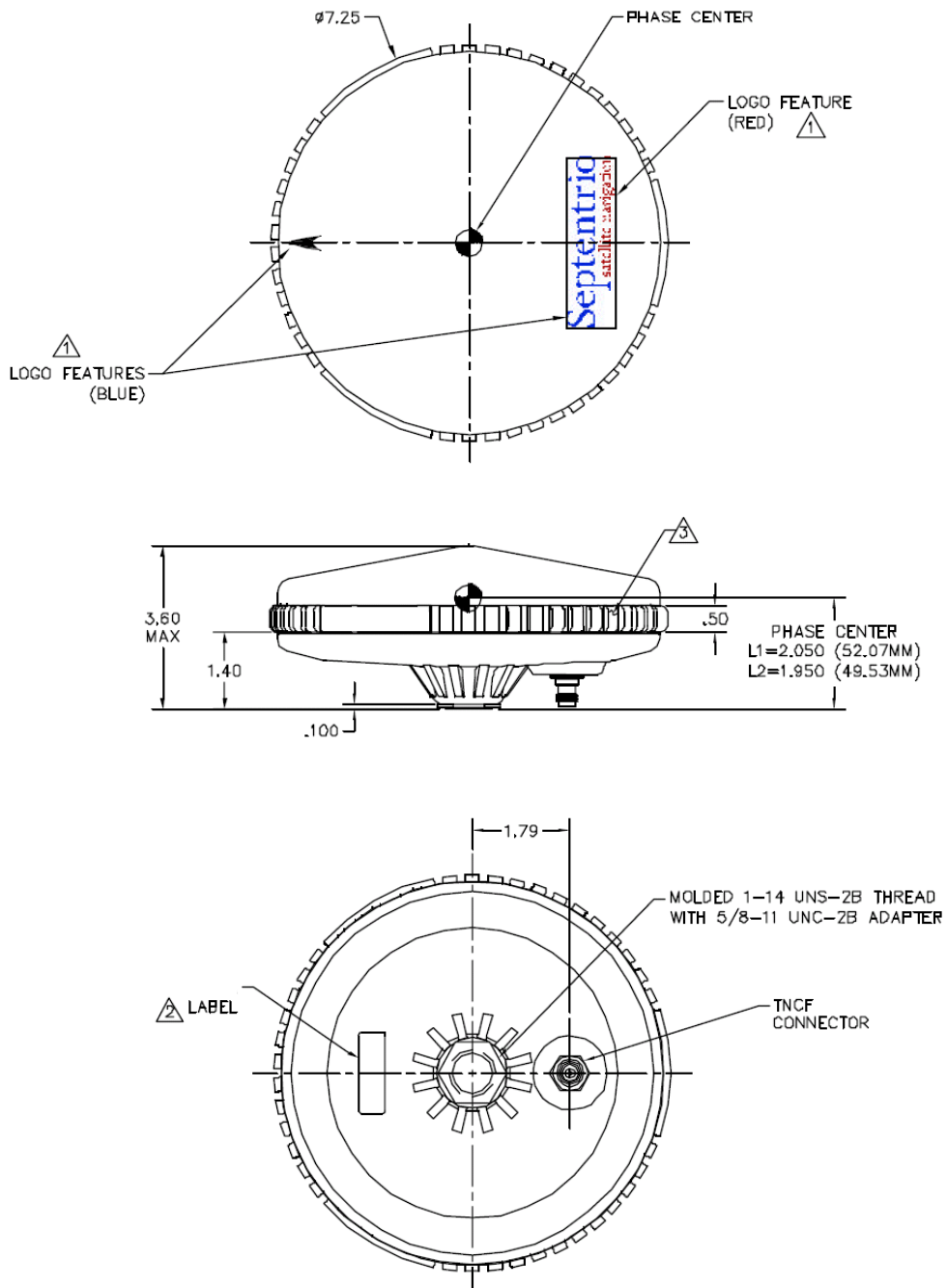
PolaRx2@ - PolaRx2@ is a unique single-board dual frequency receiver that can be connected to up to 3 antennas, bringing heading/attitude and other multi-antenna applications within economic and practical reach.

PolaRx2TR - PolaRx2TR (Timing/Reference) combines world-class performance in terms of measurement noise, sensitivity and tracking stability with user-oriented features such as Ethernet communication. PolaRx2TR also provides specific GPS timing functions (1PPS in and out).

RxControl - RxControl is an intuitive user interface to configure and control all types of PolaRx2 receivers and monitor, log and post data remotely.

DIMENSIONS

Dimensions in inches



SSNDS 01/2005/5

Headquarters :
Ubicenter, Philipssite 5
B-3001 Leuven
Belgium

Phone: +32 16 300 800
Fax: +32 16 221 640
info@septentrio.com
www.septentrio.com

Although believed to be accurate and reliable, Septentrio reserves the right to alter the above specifications without prior notice. However, no responsibility is assumed by Septentrio for its use, nor for any infringements of patents or other rights of third parties resulting from its use.